

# MTS

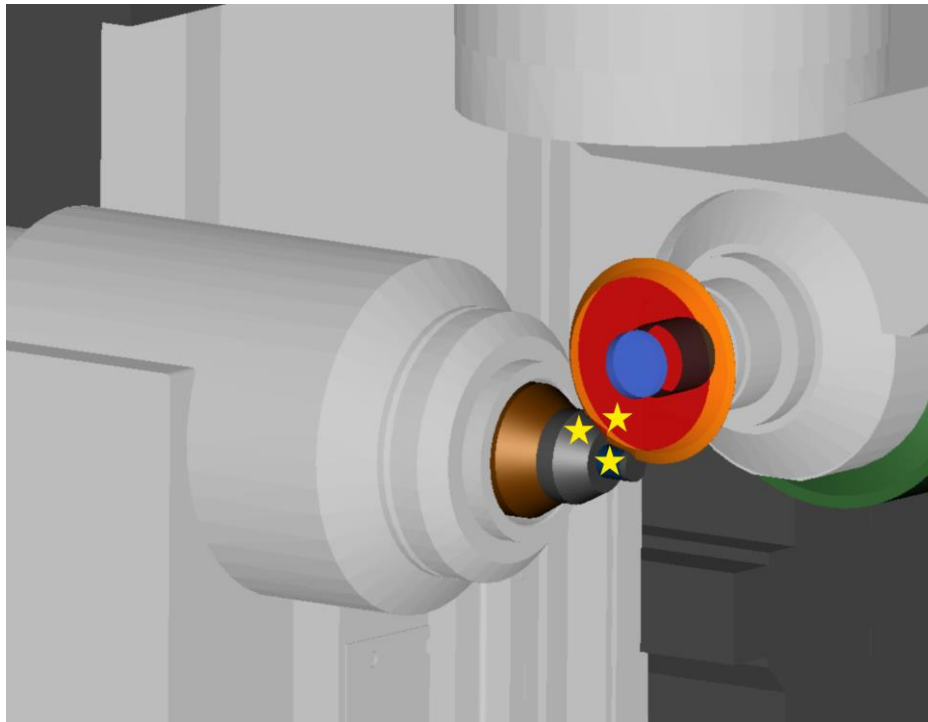
Product of the VOLLMER Group

*tool-kit* PROFESSIONAL by MTS – Product of the VOLLMER Group

# Software-Modul

## Spezifikation „Optionen“

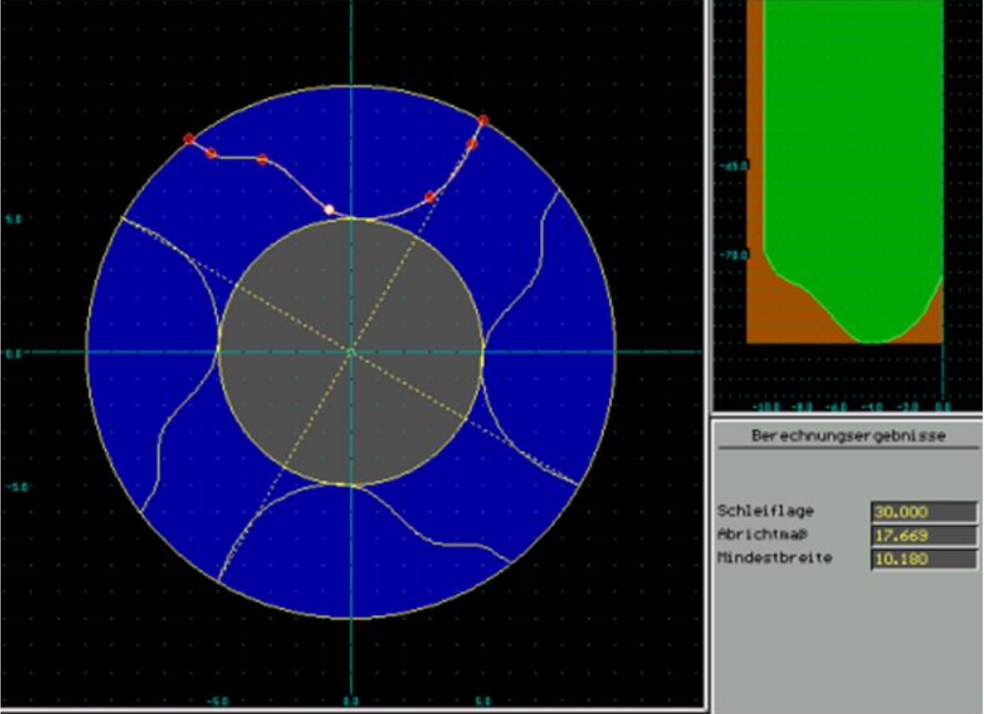
Stand: 30.01.25



VOLLMER WERKE Maschinenfabrik GmbH  
MTS  
Innovationszentrum Freiburg (FRIZ)  
Georges-Köhler-Allee 302  
79110 Freiburg im Breisgau  
Tel.: +49 7351 571 8141 / +49 160 5426017  
info-mts@vollmer-group.com  
www.mts-toolkit.com

# MTS

Product of the VOLLMER Group

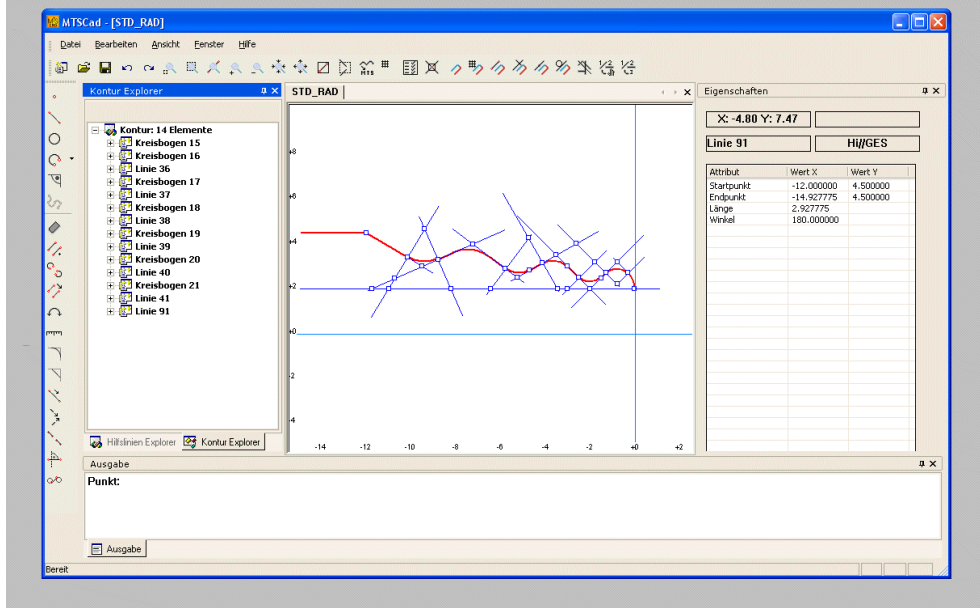
Options	
17.1 Construction of Flute Profile / Wheel Profile	Options for FMENU / BMENU
	
17.1 Basic Modul Construction of Flute Profile / Wheel Profile	
<ul style="list-style-type: none"><li>• <b>Construction of Flute Profile:</b></li><li>• Construction by integr. CAD</li><li>• Calculation of wheel-profile</li><li>• Calculation of grinding track</li><li>• Intersection simulation</li><li>• Output of wheel discription</li></ul>	

# MTS

Product of the VOLLMER Group


## 18.1 CAD Modul

## Option CAD



## 18.1 CAD Modul

- CAD-Program spezilized to the usage of tool-construction including interface to the grinding-modules.

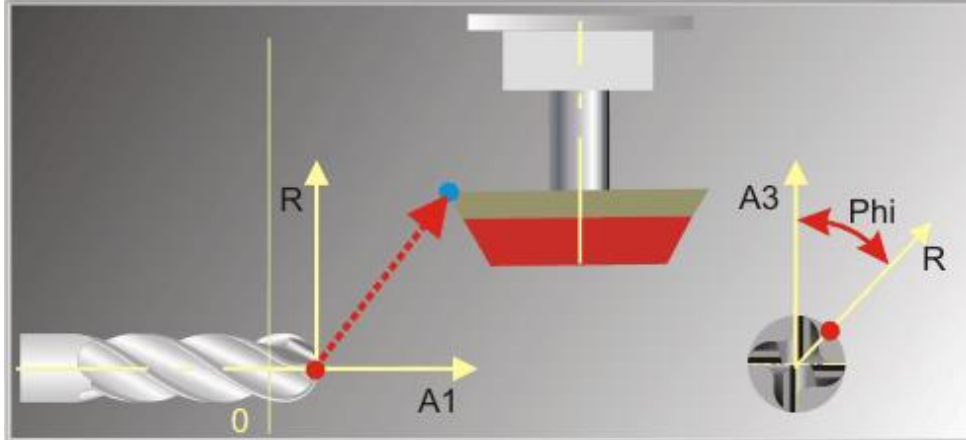
19.1 Dressing Cycle / Wheel Profile	Option
	
19.1 Dressing Cycle / Wheel Profile	
<ul style="list-style-type: none"><li>• <b>Wheel dressing:</b></li><li>• Input of dressing parameter within machine world</li><li>• Calculation of dressing cycle driven by given wheel profile (Pos. 19)</li></ul>	

# MTS

Product of the VOLLMER Group

## 20.1 Open Procedure Generator

Option für alle Module



20.1 Open Procedure Generator  
Construction and generating of selfmade  
additional operations. Integration at any  
operation-position.

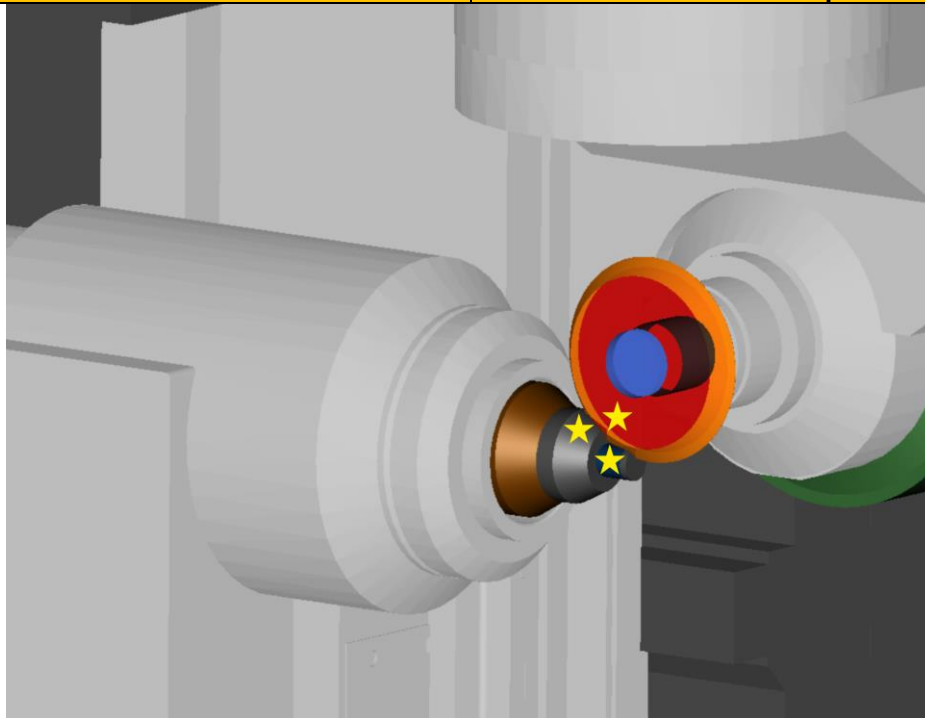
- **Generating of open procedures:**
- Graphical construction of open procedures
- Up to 10 different additional operations per modul
- Import/Export by global database
- Inserting at any position within machining order
- Seperate wheel and technology to each open procedure
- Movement- and intersection-simulations

# MTS

Product of the VOLLMER Group

## 21.1 Basic Modul CNC-Collision-Control

Option for all Moduls



### 21.1 Basic Modul CNC-Collision-Control

- **Functions:**  
NC\_start without collision-control  
NC\_start with collision-control and auto stop at first collision.  
NC\_start with collision-control and collision protocol of all situations  
NC\_simulation without collision display  
NC\_simulation with collision display
- **Extended CNC-Generator:**  
Collision-control: Yes / No  
Mode-selection:  
„Stop at first collision“ / „All collisions“
- **Mode „Stop at first collision“:**  
The modul stops the calculation of the CNC-code by recognition of the 1st collision and shows these graphically on the scope
- **Mode „All collisions“:**  
First the CNC code will be calculated completely. Subsequently we will have a listing of all collision situations. In the following these can be individually plotted and examined.

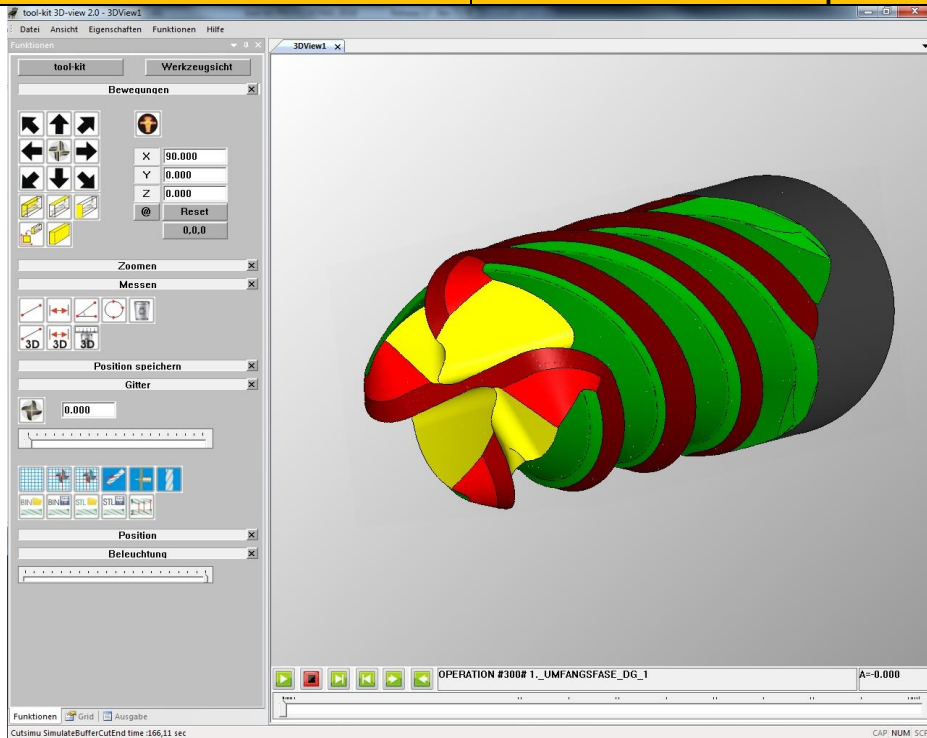
- **Administration of the collision objects (Setup):**  
4 object lists:  
Basical objects, tool-objects, clamping- and spindle-objects.  
The list administration takes place in each case by inserting, copying, renaming or deleting. The selection of the objects which can be considered concerning the collision takes place via activating in the object lists.
- **Collision calculation:**  
Examining the penetration of all activated objects, as well as the active grinding wheel outside of the workpiece. Generating the collision protocol.

# MTS

Product of the VOLLMER Group

## 22.1 tool-kit 3D-view 2.0

Option for all Moduls



### 22.1 Basic Modul *tool-kit 3D-view 2.0*

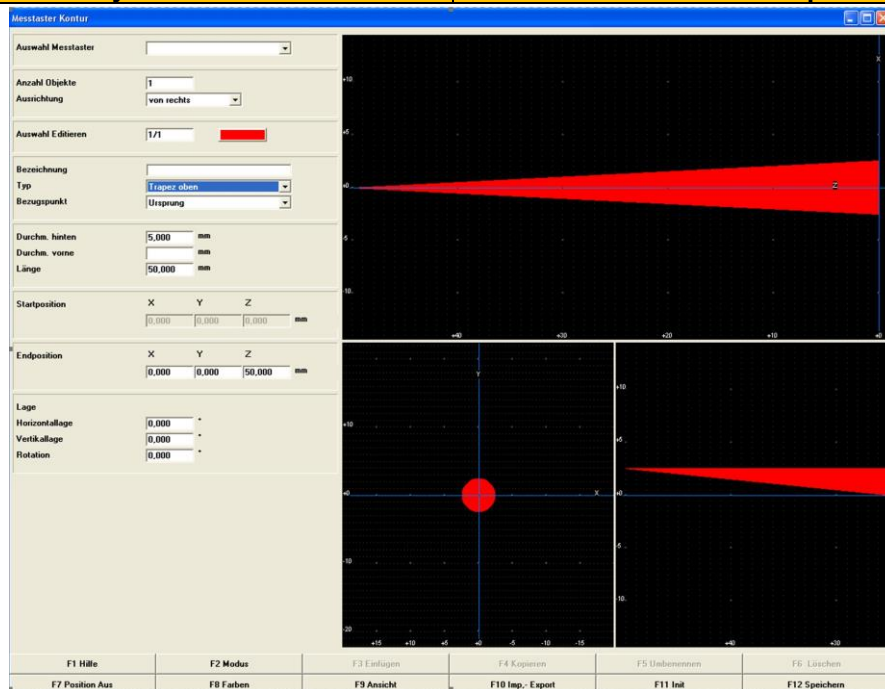
- **Tool-simulation in 3D**
  - Integrated call of 3D-simulation from all moduls including 3D simulation view
  - Positioning of the workpiece in three Rotary axes (3D view).
  - Save 3D views.
  - 2D grid and 2D measurement (distance, angle, radius).
  - 3D measurement (points, distance).
  - Section plane display
  - Snap2Point feature.
  - Refining function for cutouts.
  - Transparency view
  - Adding operations (not everything new count).
  - Loading STL blanks.
  - Save as STL file. Display of STEP files

# MTS

Product of the VOLLMER Group

## 23.1 Measurement-Cycles

Option for all Moduls



## 23.1 Basic Modul Measurement-Cycles

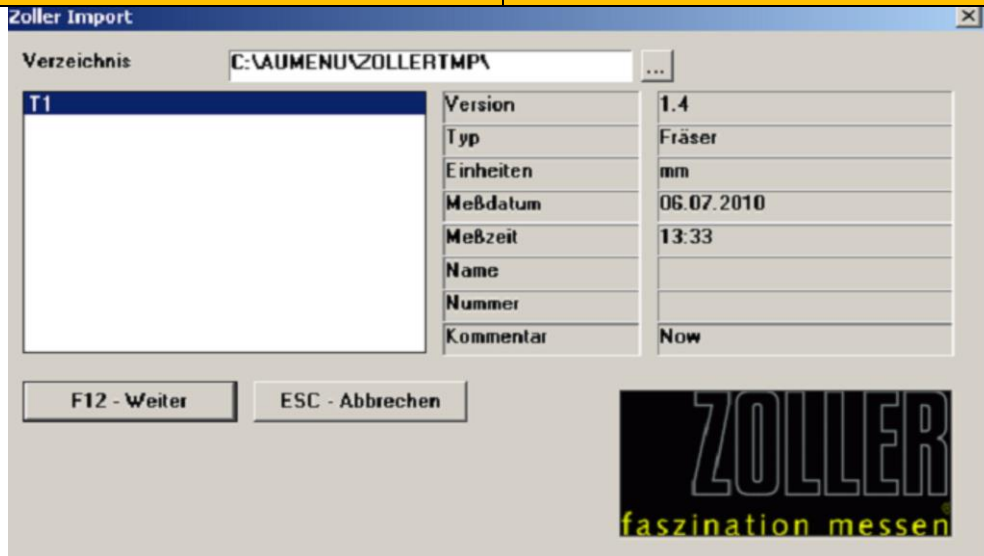
- **Measurement-Cycles for 3D-probing-system**
  - Length
  - Tooth-positioning
  - Helix lead (zylindrical, conical)
  - Diameter (zylindrical, conical)
  - Teeth-indexing



# MTS

Product of the VOLLMER Group

## 24.1 MTS-interface to an external Measurement-Machine



## 24.1 MTS-interface to an external Measurement-Machine

- Interface within tool-kit PROFESSIONAL to a measurement-machine (Exp. Zoller genius 3).
- Exchange of geometry data between MTS software and a measuring machine.
- Measurement of workpiece data and wheel geometry
- Reading back the measured data
- Decision for further processing.

- Measurement-data will be read and analysed by the error-handling-procedure.
- The generated correction-data will be used in order to come to correct must values at next grinding step.
- Correction Options:
- **Correction on the wheel data:**  
Reasonable corrections f.e. at diameter, rake-angle and wheel-distance.
- **Using the operation-specific correction table:**  
Corrections at machine-data or wheel-data.
- **Correction of tool parameter:**  
Correction in inverse direction to the actual value and setpoint.